

MP1010U Mixer Amplifier with USB & Tuner



Features

- 100V (70V customizable) & 4-16 Ω , rated power 350W
- Support USB / SD / FM radio, with built-in chime
- 4 MIC inputs, Mic 1 with priority and muting fun
- 3 AUX line input & 1 AUX line output for power extension
- Each AUX & Mic input with individual volume

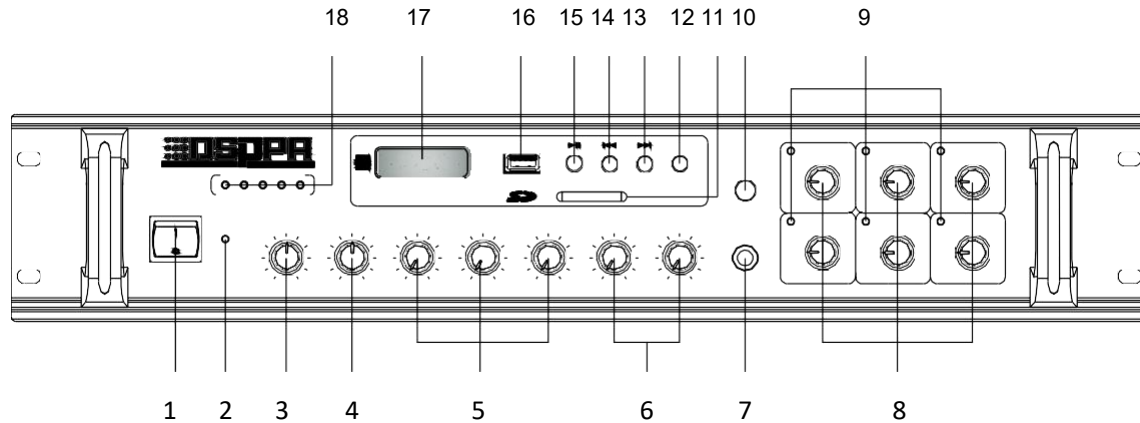
Description

This mixing amplifier is rated at 350W. 100V (70V customizable) and 4-16 Ω speaker output are provided. There are 3 unbalanced microphones inputs and 3 aux inputs. Bass and treble controls and master volume control are provided. This amplifier can be applied to different occasions, such as supermarket, classroom, etc. Extensive protection from short-circuit, overload and high temp is ensured. Automatic cooling system ensures the extreme quite sound system.

Specification

Model	MP-1010U
Rated Output	350W
Output Regulation	Less than 3dB, from off-load to full load
Input sensitivity	MIC: 3.0mV(\pm 0.5mV)
	LINE: 300mV(\pm 50mV)
Frequency Response	80Hz-16kHz (\pm 3dB)
Distortion	Less than 1% (at 1kHz, 1/3 rated output voltage)
Ratio of Signal to Noise	MIC: more than 71dB
	LINE: more than 85dB
Tone	Bass: \pm 10dB (at 100Hz)
	Treble: \pm 10dB (at 10kHz)
Protection	DC voltage; overload; short-circuit.
Mute	Input signals from MIC 1 override other input signals
Power Requirements	AC 220-240V/50-60Hz
Power Consumption	650W
Outer Packing Size(mm)	(L \times W \times H)520 \times 430 \times 195
Unit Size (mm)	(L \times W \times H)418 \times 355 \times 88
Gross Weight	17kg
Net Weight	15kg

FRONT PANEL

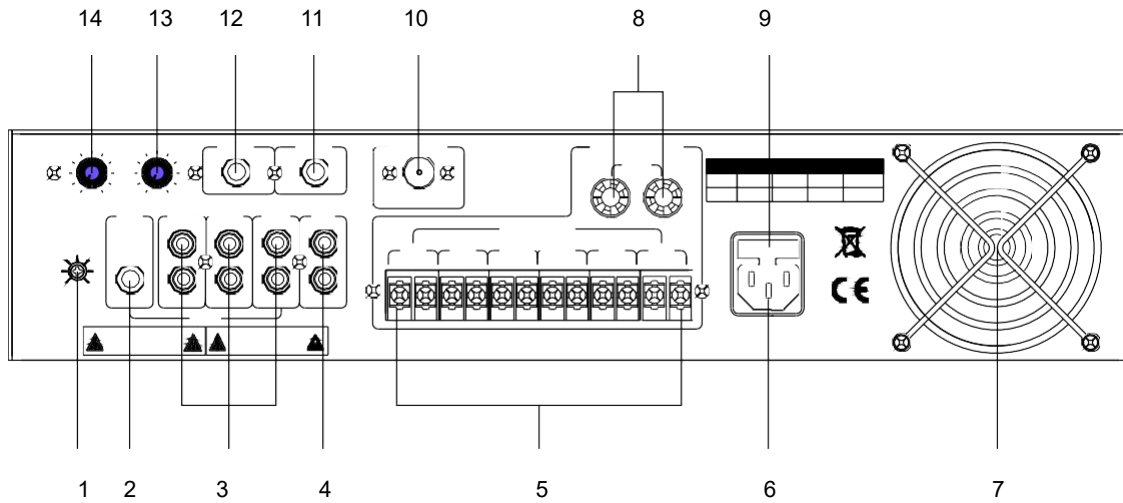


- | | |
|--|------------------------------------|
| 1. Power Switch | 10. Chime Button |
| 2. LED Power Indicator | 11. MP3 SD Jack |
| 3. Bass Adjustment Button | 12. MP3/tuner select key |
| 4. Treble Adjustment Button | 13. MP3/tuner status operation key |
| 5. Line Input Volume Adjustment Button | 14. MP3/tuner status operation key |
| 6. MIC Input Volume Adjustment Button | 15. MP3/tuner status operation key |
| 7. MIC 1 Priority Input Jack | 16. MP3 USB Jack |
| 8. Zone Volume Adjustment Button (1-6) | 17. MP3/tuner status display |
| 9. Zone Level Indicator | 18. Five-unit LED Level Meter |

Note:

When all five units of the LED level meter remain lit, it indicates that the sound is distorted. In such case, adjusting each volume adjustment button until LED unit 4 (+8dB) and LED unit 5 (+10dB) flash.

REAR PANEL



1 Mute control Button

2 MIC 2 Input Jack

3 Line Input Jack 1, 2, 3
5 6-zone Output

6 AC Power Source Insert

7 Fan Exhaust Window

11 MIC4 Input Jack

12 MIC3 Input Jack

14 MIC3 Input Volume Button

4 AUX Output Jack

(Link with another amplifier or recording
equipment)

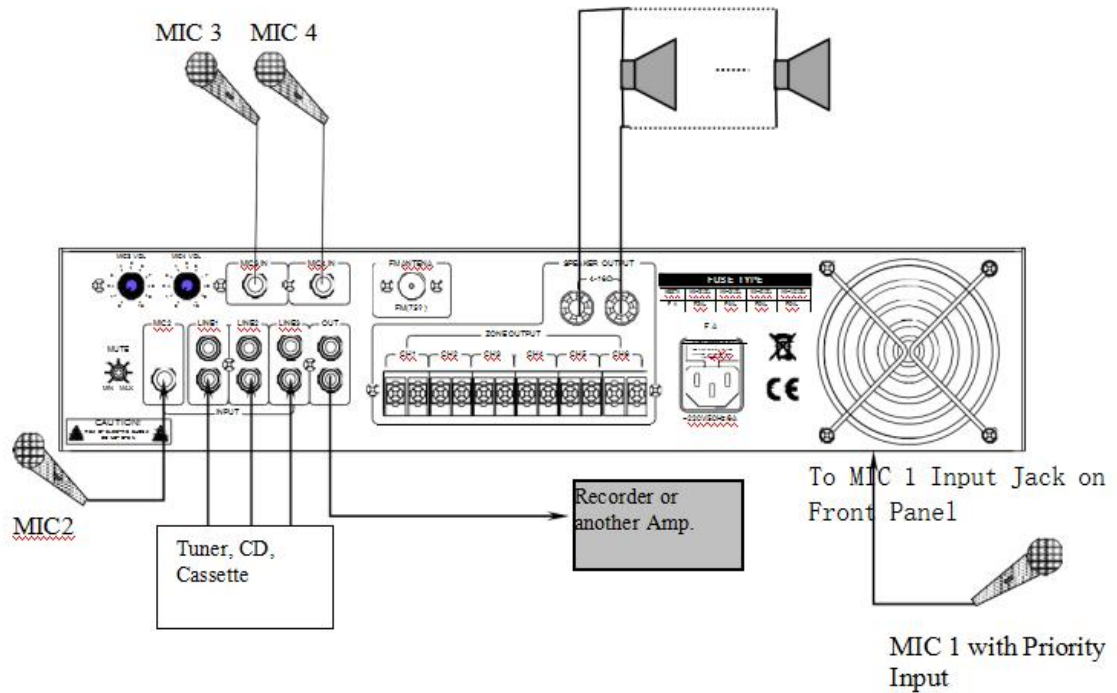
8 Speaker Output Terminal

9 AC Power Fuse

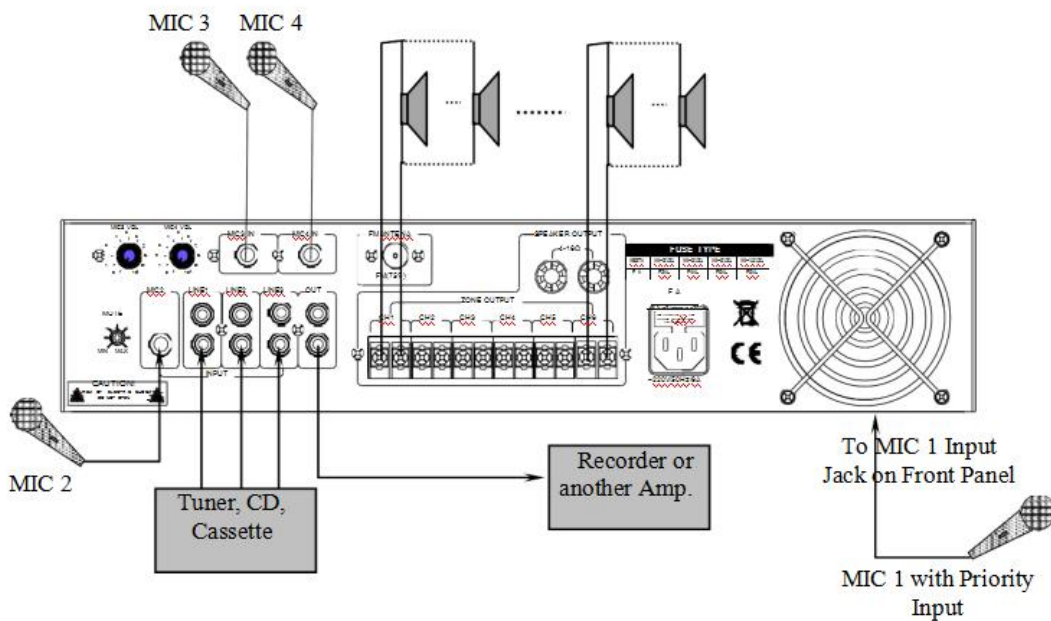
10 FM antenna Jack

13 MIC4 Input Volume Button

CONNECTIONS (without single-zone outputs)



CONNECTIONS (without multi-zone outputs)



Note:

Individual zone opening and closing may be achieved by adjusting **Zone Volume Adjustment Button** on Front Panel.