

DSP6114E DSP6116E

PoE Outdoor Waterproof Column Speaker



Description

The product DSP6114E / DSP6116E is an outdoor waterproof column speaker supporting POE and POE+ standards. It can automatically configure the output power according to the switch, and can also supply power with DC24V. According to the acceptance of outdoor product standards, it can meet the conditions of outdoor use all day and also comes with SIP and network playback functions.

Features

- The product adopts high sensitivity, high dynamic range speaker driver unit, two-way design, and strong bass.
- The treble is clear and delicate, with good voice reproduction effect.
- Built-in digital power amplifier, low distortion, low noise and large dynamic range.

- With the self-protection function, including temperature protection and short circuit protection.
- Can play background music, emergency paging, alarm signals, and others from the system host.
- The product complies with EN 60529 IP66 waterproof and dustproof/IEC60068-2-52 corrosion resistance and other standards.
- Suitable for long-term use outdoors.
- The speaker box is made of thickened aluminum and has an integrated sealing design to effectively prevent air leakage and resonant sound.
- The aluminum shell, aluminum cover, and aluminum mesh are made of aluminum alloy, and the surface is treated with UV anti-UV baking paint, so it can be used outdoors for a long time.
- The front panel is made of polymer hot-injection molding, which is waterproof and mildew-proof.
- The leakage hole design on the bottom cover can effectively eliminate internal water accumulation caused by the open air.

Specifications

Model		DSP6114E	DSP6116E
Acoustic System	Drive Unit	4"×2, 1"×1	4"×4, 1"×1
	Sensitivity (1m, 1W)	88±2dB	92±2dB
	Max. SPL (1 m)	101±2dB	107±2dB
	Frequency Response	180Hz-16kHz	180Hz-16kHz
	Rated Power (RMS)	802.3at(PoE+) 15W、 802.3bt(PoE++) 20W、 DC24V 20W	802.3at(PoE+) 15W、 802.3bt(PoE++) 40W、 DC24V 40W
Amplifier System	NET Playback Built-in Amplifier	Frequency Response 80Hz-16kHz(±3dB)	80Hz-16kHz(±3dB)
		Distortion	≤1%
		SNR	≥76dB
Drive Unit		POE+,POE++,DC24V	POE+,POE++,DC24V
Sensitivity (1m, 1W)		475× 310× 190	700× 310× 190
Max. SPL (1 m)		418× 137× 117	643× 137× 117
Power Supply		7.5kg (2 PCS)	11.5kg (2 PCS)
Package Size (H×W×D mm) (2 PCS)		3.0kg	5.0kg

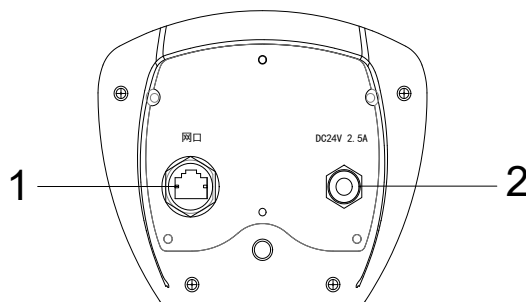
Front / Rear Panel

1. Network Port

Connect the network cable

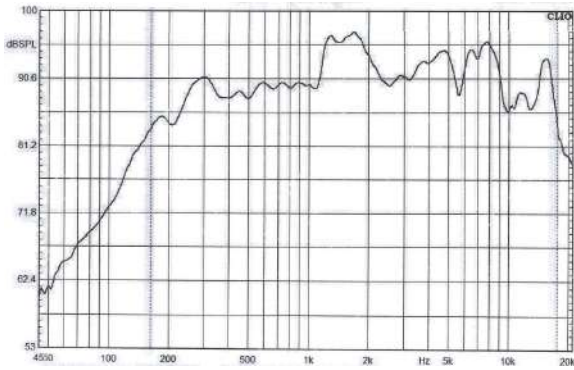
2. DC24V Power Input Cable

The DC voltage is the 24V power interface input cable.

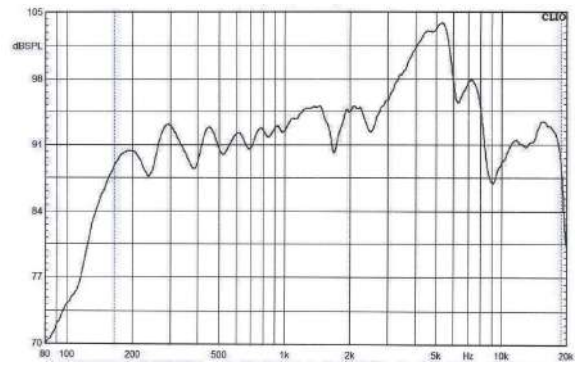


Product Information

1) Frequency Response: (dB SPL, 1W, 1m)

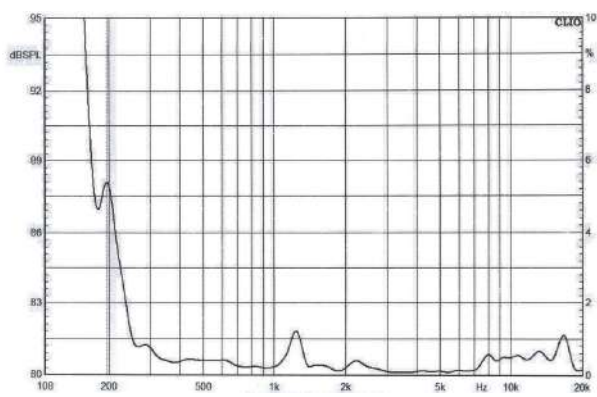


DSP6114E

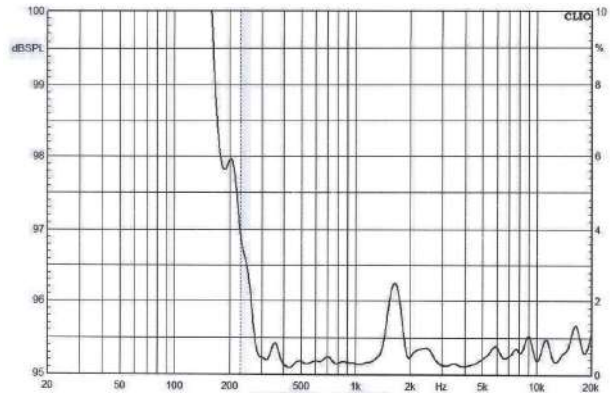


DSP6116E

2) Distortion: (THD < 1.5% 1W、1m、200Hz~10kHz)



DSP6114E



DSP6116E