

DSP516

Ceiling Speaker



Description

This product is a ceiling speaker for public broadcasting and background music playback. Designed with high-quality paper cone and molded with polymer engineering plastics, it can deliver clear and bright sound and excellent listening experience.

Features

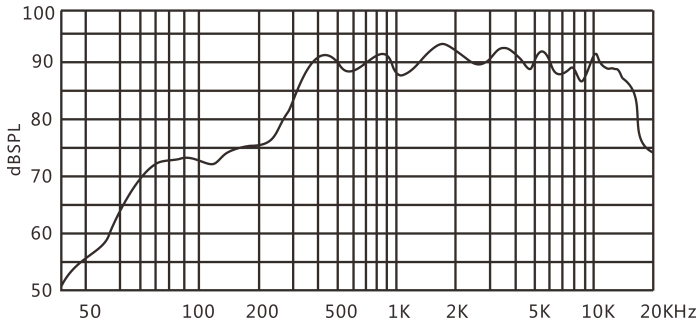
- Suitable for public address and background music broadcasting.
- With clear and bright sound for high-quality listening experience.
- Adopt high-quality paper cone with special processing for excellent sound performance.
- Designed for open ceiling installation, eliminating the need for openings.
- Molded with polymer engineering plastics, durable and reliable.

Specifications

Model	DSP516
Speaker Unit	4.5"×1
Rated Power (RMS)	6W
Working Voltage	70V/100V
Sensitivity (1m, 1W)	91dB±2dB
MAX. SPL. (1m)	98dB±2dB
Frequency Response	300Hz~14kHz
Dimensions (W×H)	∅ 182×70mm
Weight	0.55kg

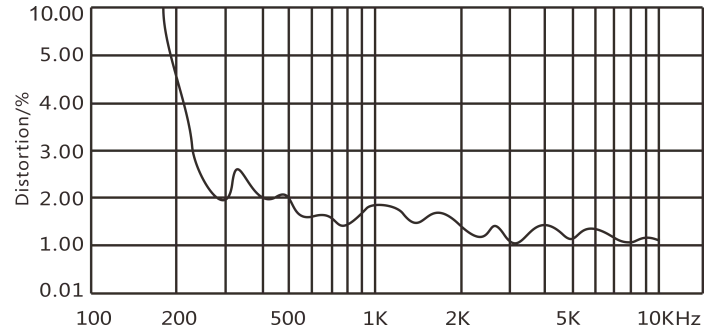
Technical Performance

Frequency Response
(dB SPL, 1W, 1m)



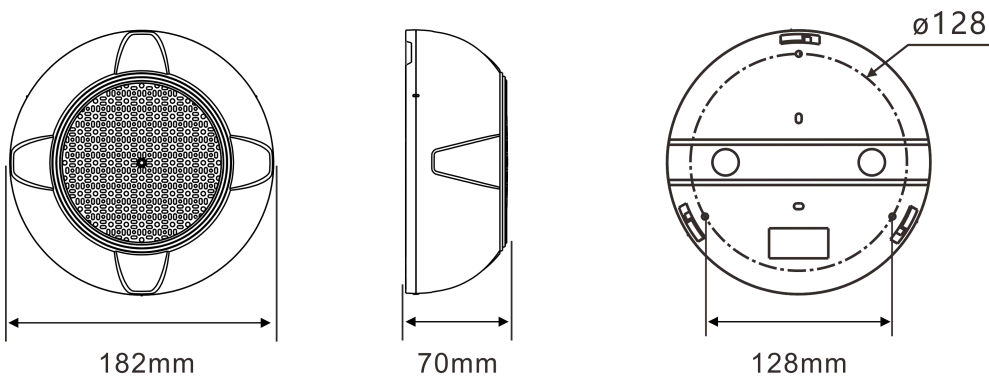
Distortion

(THD < 5% 1W, 1m, 100Hz-10kHz)



Installation and Connection

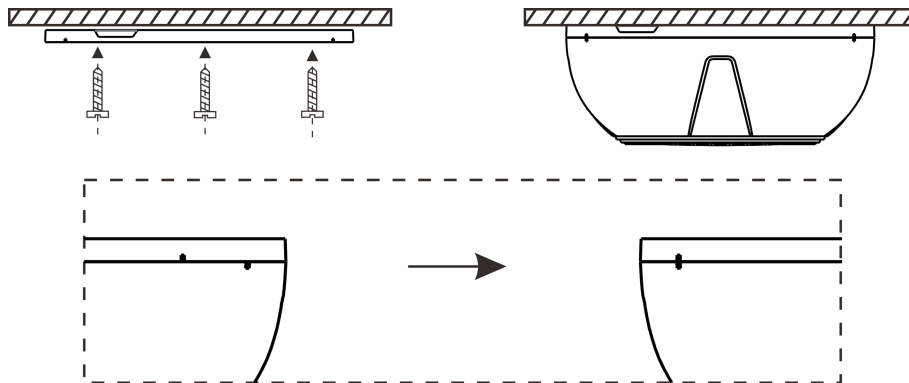
Dimensions



- ① Introduce the wire along the lead slot of the rear cover, choose an appropriate position to fix 3 M4 expansion bolts, and fix the rear cover to the ceiling with screws.
- ② Connect the audio broadcast transmission line, and select the appropriate terminal for connection according to the actual power requirements and the table below.

Power	Line Voltage	
	70V	100V
Black --- Blue	1.5W	3W
Black --- White	3W	6W

- ③ Align the ceiling speaker with the rear cover, and turn the product clockwise until it is fastened, that is, the clamping point of the ceiling speaker is aligned with the clamping point of the rear cover. (As shown below)



- ④ Finally, check whether it is installed firmly.