

DSP2601 / DSP2603

20W /40W Wall Mount Speaker



Description

The DSP2601 and DSP2603 speakers offer exceptional sound quality with adjustable power for various applications. Their sleek design complements any space, while their high-quality materials like aluminum mesh and silk diaphragms ensure durability and premium audio for years, which is an ideal choice for industrial and commercial applications in hotel, school, office and factory where background music and paging is needed.

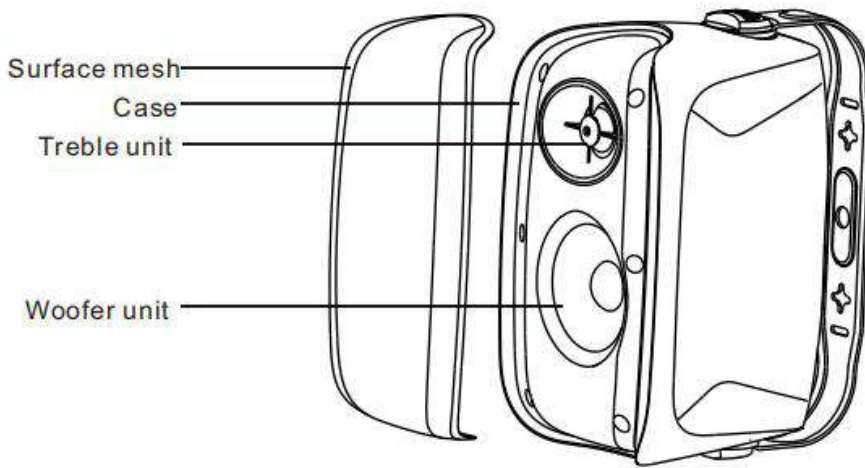
Features

- Focus on sound quality, equipped with high pitch and low pitch double unit, clear sound level, mellow, transparent, clear and bright, strong bass;
- Adjustable power gear to meet the requirements of various application environments, Streamlined design, using high-quality plastic injection-molded shell with high-quality aluminum mesh, sturdy and durable;
- Novel appearance, obtain design patent certificate;
- Available in black and white, decorative style for different places.

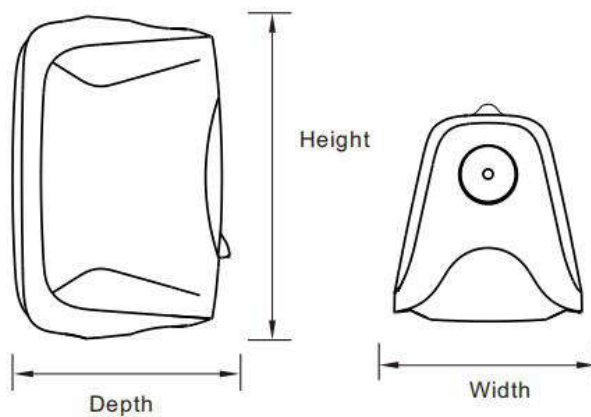
Specifications

Model	DSP2601	DSP2603
Speaker Unit	4"×1,1"×1	6.5"×1,1"×1
Work Voltage	100V	100V
Rate Power (RMS)	20W	40W
Freq.Resp.Range	95Hz-20kHz	65Hz-20kHz
Sensitivity(1m,1W)	90±2dB	91±2dB
Max.SPL (1m)	103±2dB	106±2dB
Dimension (H×W×D)	268×156×174	320×210×215
Net Weight	2.3kg	3.7kg

Product Information



Product Exploded View



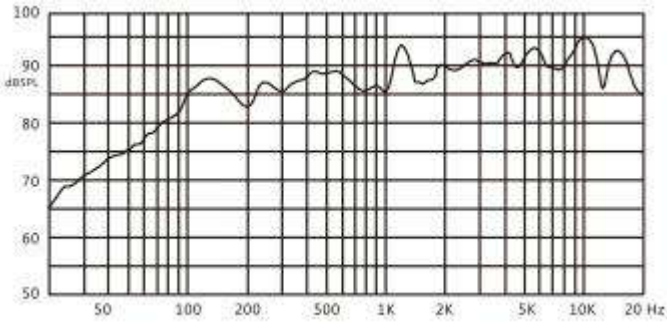
Model	Height (H)	Width (W)	Depth (D)
DSP2601	268	156	174
DSP2603	320	210	215

(unit mm)

Product Dimension

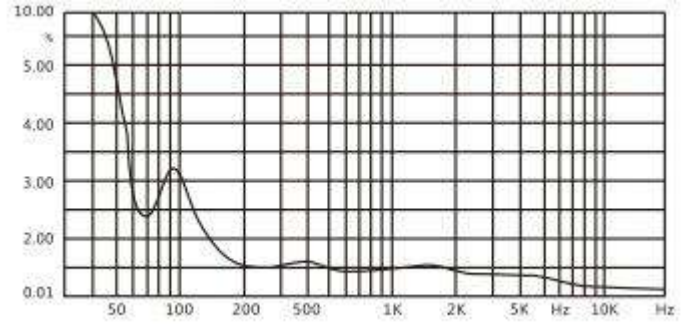
DSP2601 Frequency Response Characteristics

(dB SPL.1W, 1m)



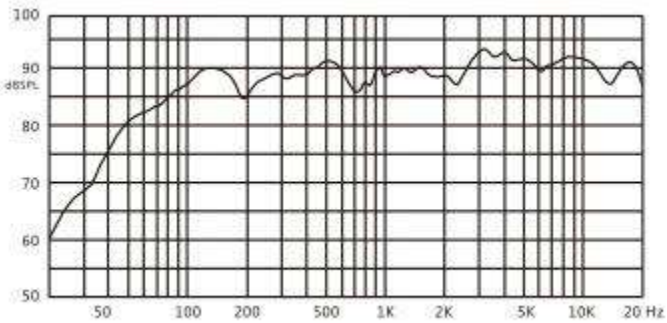
DSP2601 Distortion

(THD<5% 1W, 1m, 100Hz-10kHz)



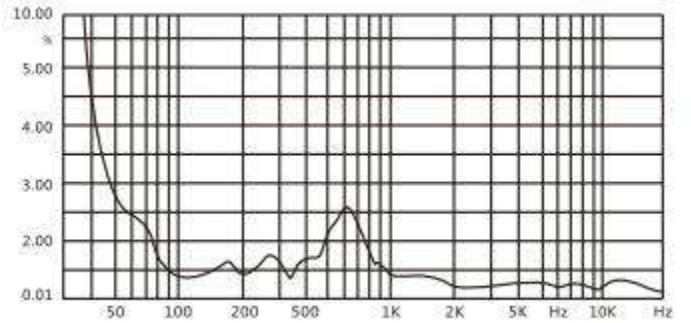
DSP2603 Frequency Response Characteristics

(dB SPL.1W, 1m)

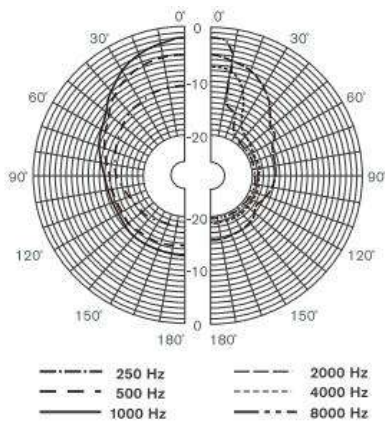


DSP2603 Distortion

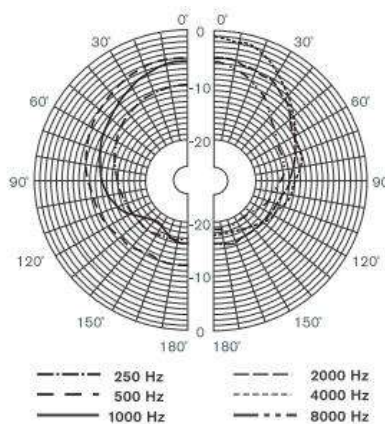
(THD<5% 1W, 1m, 100Hz-10kHz)



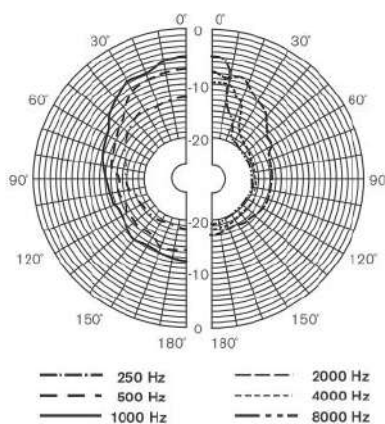
DSP2601 Vertical directivity pattern



DSP2601 Horizontal directivity pattern



DSP2603 Vertical directivity pattern



DSP2603 Horizontal directivity pattern

