

DSP225NM

Teaching Speaker



Description

This device is a teaching speaker that integrates local sound reinforcement, multimedia teaching and network broadcasting, with priority 100V function. The speaker box is made of high-quality fiberboard and cold-pressed birch, allows for wall-mounted installation and supports sub-speaker to ensure high-quality sound. It is the best choice for teaching, large-scale lectures, business training, banquet halls, supermarkets and other places.

Features

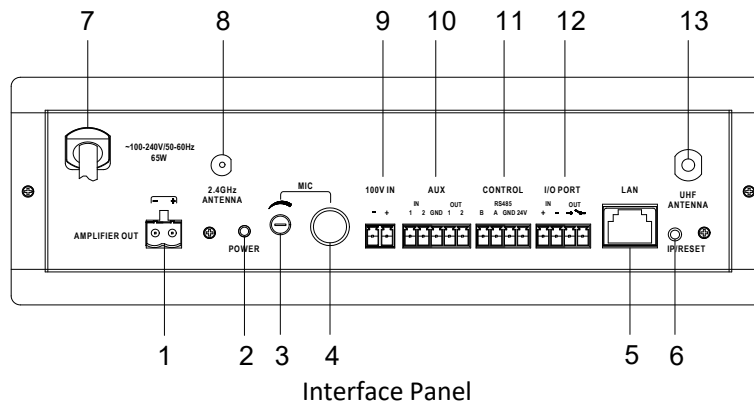
- Based on the TCP/IP protocol, the network multifunctional decoding player can work across network segments.
- Support standard SIP protocol.
- Adopt RFID automatic frequency pairing technology, to realize automatic frequency pairing with the receiver at a certain distance without manual operation.
- Adopt 2.4G frequency pairing method to obtain a larger range and stronger anti-interference ability. After the receiver is paired with the transmitter, the pairing signal of the receiver will enter a silent state to avoid crosstalk of other devices nearby.
- Adopt anti-crosstalk voice encryption technology. When the device completes the frequency pairing to enter the voice transmission, the voice transmission between the devices will be under digital encrypted transmission, and other devices cannot communicate with the receiver.
- With three levels of adjustable voice receiving distance, to set three kinds of voice receiving distances, the largest for a space of about 15×8 meters, the middle for about 12×6 meters, and the smallest for about 9×6 meters.
- Multiple audio input: wireless MIC IN, MIC IN, 100V IN, AUX IN, network audio input.

- Support multiple audio formats: MP3, WAV, etc.
- Support one-key remote paging.
- With various control interfaces, such as I/O port and RS485 communication port.
- Can play the BGM, emergency paging and alarm signals from the host system.
- Can be controlled and played through the management software.
- Priority function: 100V IN/Network alarm>Wireless MIC/Local MIC>Network audio>AUX IN.
- Rated power 2×20W.

Specifications

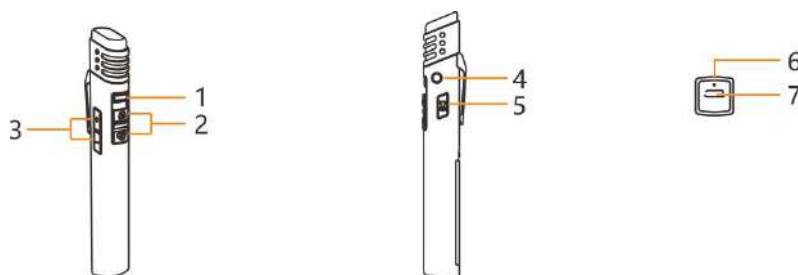
	Model	DSP225NM
Acoustic System	Speaker Unit	6.5"×1
	Sensitivity (1m, 1W)	88±2dB
	MAX. SPL. (1m)	96±2dB
	Frequency Response	200Hz-10KHz
Audio Input	Wireless MIC IN Sensitivity	10 mV
	Wired MIC IN Sensitivity	45 mV
	AUX IN Sensitivity	300mV
	100V IN Sensitivity	100V
Audio Output	LINE OUT	1.0V
Control Interface	I/O Port IN	5-12V DC, optical isolation
	I/O Port OUT	Relay normally open, short circuit after triggering
	RS485	9600bps
	VDD OUT	24V
Amplifier System	Rated Power (RMS)	2×20W/8Ω
	Frequency Response	80Hz-16KHz
	Distortion	≤1%
	SNR	≥71dB
Wireless MIC Receiving System	Frequency Range	650-675MHz
	Frequency Response	300-10KHz
	UHF Sensitivity	<-90dBm
	AF Output Level	120mV±20mV
	RFID Output Power	>-3dBm
	SNR	≥63dB
Others	Power IN	AC 100-240V/50-60Hz
	Decoding Format	MP3, WAV, etc.
	LAN Port Standard	RJ45 10/100M
	Support Protocols	DHCP, UDP, ICMP, IGMP (multicast)
	Package Dimensions (W×H×D)	498×283×153mm
	Product Dimensions (W×H×D)	360×240×115mm
	Gross Weight	5kg
	Product Weight	3.6kg

Interface Description



1. Amplifier OUT (Connected to a constant resistance speaker)
2. Power LED
3. Local MIC Volume Control
4. Local MIC
5. RJ45 LAN Port
6. IP Reset Button
7. AC Power Cord
8. 2.4G Pairing Antenna Interface
9. 100V IN
10. AUX IN/OUT
11. Control Port (Connected to an external control device)
12. I/O Port
13. UHF Communication Antenna Interface

DSP6626C Handheld Transmitter



1. Status LED
2. Power Switch
3. Volume+/- Button
4. 3.5mm Headphone Interface
5. Mute Button
6. Pairing Signal LED (Orange for unconnected, green for connected)
7. USB Charging Port

Product Information

