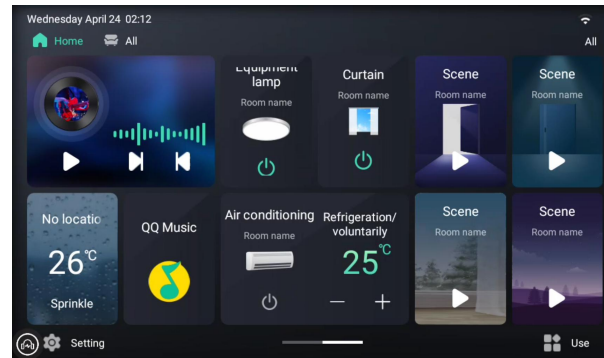


## DM868T

### 8" Smart Tuya Background Music Amplifier



#### Description

Our smart background music amplifier adopts a 8" TFT digital HD screen (1080×1440 HD resolution), and supports multi-point capacitive touch, with 4-core 2G running processor and Android 6.0 system for the main chip. The unit holds 2GB RAM and 8GB ROM. It supports DLNA, Airplay, Qplay and other protocols. It features WIFI, Bluetooth, and timing power-on/off, and supports LAN multi-zone control and intercom function.

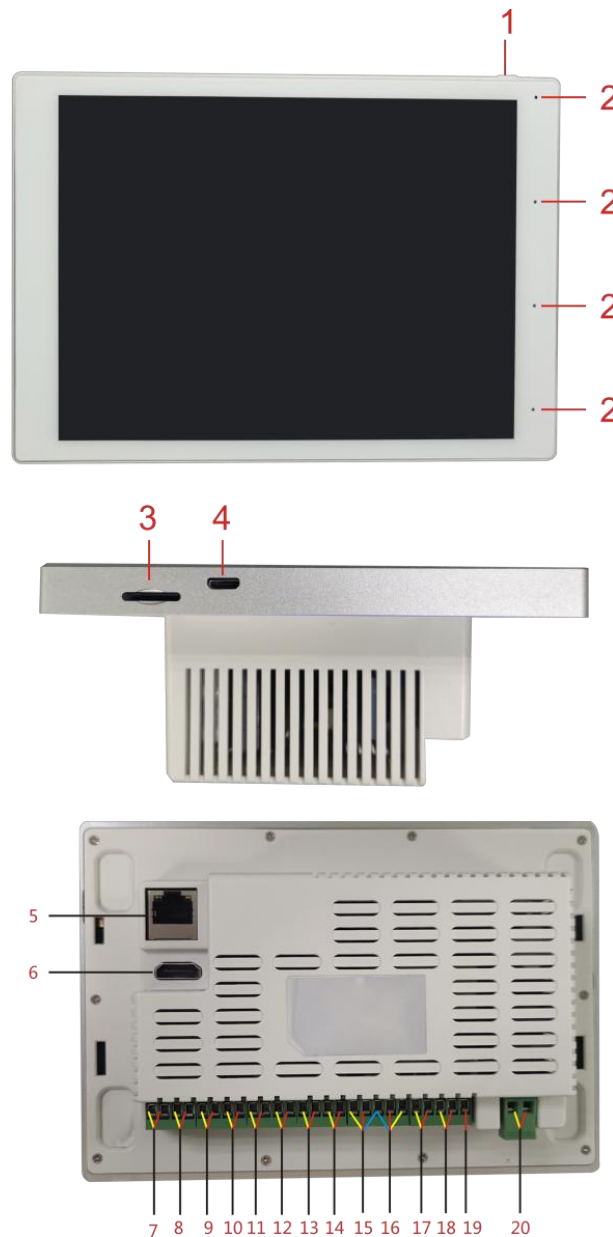
#### Features

- Support LAN multi-zone control and intercom function.
- Support 8-channel speaker output (with independent control of audio sources in two zones) and 4-zone volume control.
- Support DLNA, Airplay, Qplay and other protocols, and can push music, videos, pictures, files, and apps from the mobile phone to the host for playback or installation.
- Support mobile devices to push music via Bluetooth.
- Support external devices to control the machine via 485.
- Support audio input and output functions.
- Support TF card and 2.0 USB interface, which can be attached to a hard disk.

#### Specifications

Model	DM868T
Power Input	AC90-250V
Output Power	8*20W
Output Impedance	8Ω
Display Screen	8" TFT digital HD screen
Operating System	Android 6.0
Memory	2+8G
Audio Input (AUX)	1 group
Audio Output	1 group
WIFI Audio Push	Support

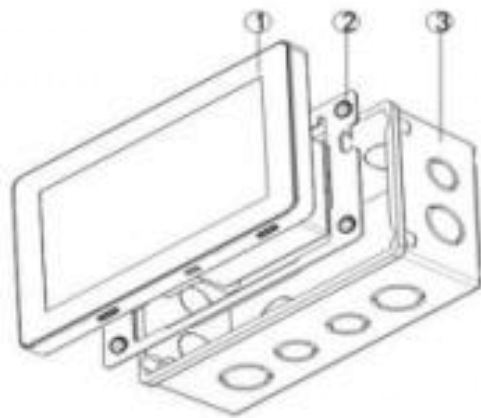
## Front / Rear Panel



1. Power button: Press and hold the button for 3 seconds to power it on, and press and hold the button for 3 seconds to power it off when it is powered on; short press the button to enter sleep, and short press the button again to wake it up.
2. Digital microphone: 4 array digital microphones.
3. TF card slot: Insert a TF card into the slot with the notch to the right, up to 32G capacity.
4. Mini USB port: Mini USB socket: Can connect a standard 1.1, 2.0 USB flash disk through a connector, which can support a maximum capacity of 32G.
5. Network cable interface: Can be used when connecting to a wired network.
6. HD video output: Use a flat HDMI HD cable.
7. Constant-resistance ceiling speaker: Can connect 8Ω 20W constant-resistance ceiling speaker.
8. Constant-resistance ceiling speaker: Can connect 8Ω 20W constant-resistance ceiling speaker.

9. Constant-resistance ceiling speaker: Can connect 8Ω 20W constant-resistance ceiling speaker.
10. Constant-resistance ceiling speaker: Can connect 8Ω 20W constant-resistance ceiling speaker.
11. Constant-resistance ceiling speaker: Can connect 8Ω 20W constant-resistance ceiling speaker.
12. Constant-resistance ceiling speaker: Can connect 8Ω 20W constant-resistance ceiling speaker.
13. Constant-resistance ceiling speaker: Can connect 8Ω 20W constant-resistance ceiling speaker.
14. Constant-resistance ceiling speaker: Can connect 8Ω 20W constant-resistance ceiling speaker.
15. Audio output: Audio cable (two-core shielded cable: commonly known as microphone cable), RVVP2X0.5, RVVP2X0.75.
16. AUX audio input: Audio cable (two-core shielded cable: commonly known as microphone cable), RVVP2X0.5, RVVP2X0.75.
17. 485 control cable: Two copper core wires, with a single core of 0.75 square or more. The mark 8 in the figure indicates the two interfaces of the 485.
18. 5V output.
19. Reversed I/O interface.
20. Power input cable: Two copper core wires, with a single core of 0.75 square or more.

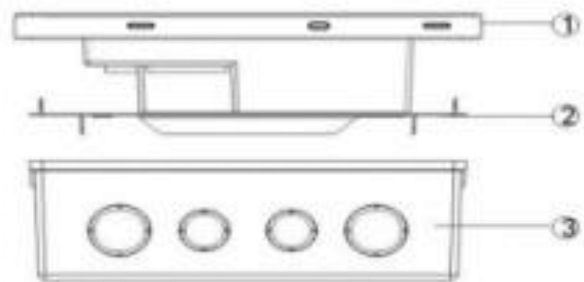
## Installation Methods



(1)

1. Installation Side View

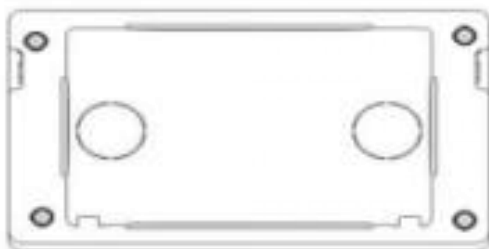
- ① Background music amplifier
- ② Metal pendants
- ③ Bottom box



(2)

2. Installation Bottom View

- ① Background music amplifier
- ② Metal pendants
- ③ Bottom box



(3)

3. Embed the bottom box in the wall and fix the metal pendants in the bottom box.



(4)

4. After wiring, load the amplifier vertically into the bottom box and hang it on the metal pendants with a downward force.