

MP9819A Alarm Matrix



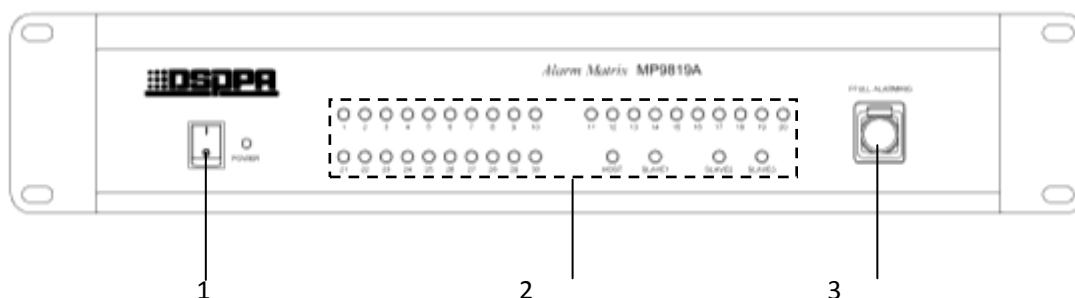
Features

- Intellect interface between P.A. system and survey center.
- Auto activates emergency broadcasting while alarm.
- Extension function up to 120 channels to be control.
- Programmable for more areas activating at the same time.
-

Description

MP9819A thirty road fire alarm matrix radio equipment is suitable for the airport, factory, stadium, scenic park, shopping malls supermarkets, government agencies, medical institutions, conference and exhibition center, the station, schools, commercial pedestrian street, residential, hotel, etc. Intelligent fire alarm interface, It can be extended to 30 partitions, automatically activated 120 districts, As many as four adjacent regions trigger automatically and it Can customize programming.

Front Panel

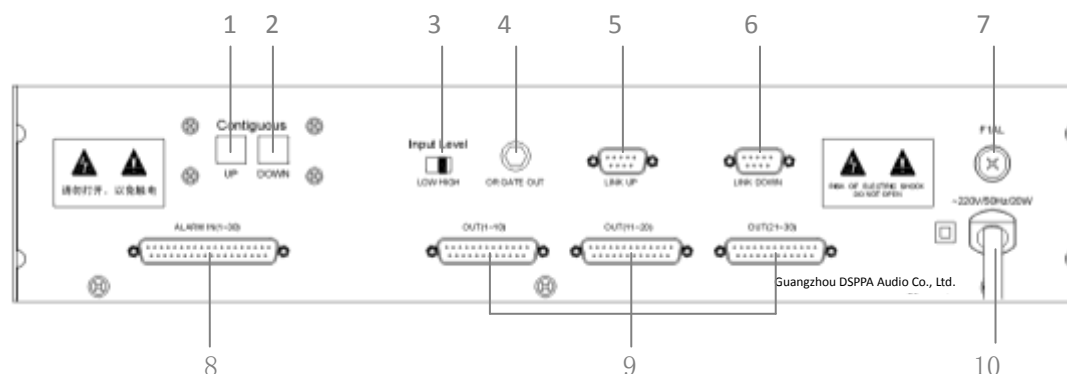


1 Power Switch

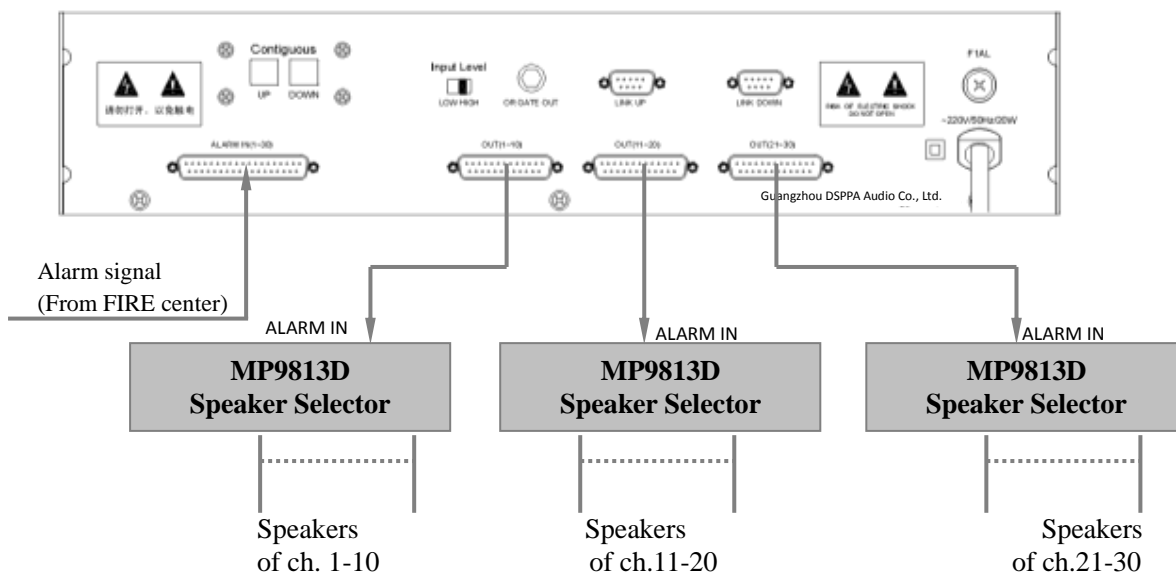
2 Status Display

3 Full Alarming Knob

Rear Panel



Connections



Specifications

Channels	30, extendable
Activating up / down	±4 channels, extendable
Logic Level	+5-24V/0V , preset available
Protection	AC fuse
Power Requirement	AC 220-240V/50-60Hz
Outer Packing Size (mm)	(L×W×H) 530×440×195
Unit Size (mm)	(L×W×H) 484×365×88
Gross weight	8.8kg
Net weight	7kg