

DSP168HD 25W-50W High Fidelity Horn Speaker



Features

- Outputs: 25W/70V & 50W/100V
- Two-way speaker , clear sound, high sensitivity;
- Waterproof, made from high quality alloy-aluminum surface net
- Streamline design, beautiful and durable with ABS which does not rust and it's durable
- Streamline design appearance, beautiful design, Advanced engineering plastics material.

Description

The DSP168HD is a high fidelity wall mounted speaker built-in 70v/100v transformer. The 70v/100v transformer technique reduces line losses on longer distance and allows easy parallel connection of multiple horn loudspeakers.

IPX 6 waterproof level suitable for outdoor use; two-way speaker, clear sound, high sensitivity;

Waterproof, made from high quality alloy-aluminum surface net

Streamline design, beautiful and durable with ABS which does not rust and it's durable;

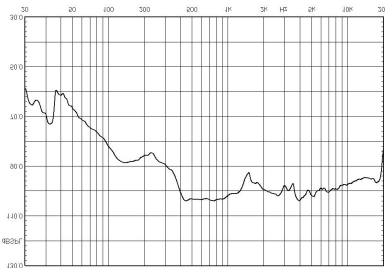
Streamline appearance, beautiful design, advanced engineering

It is ideal choice for industrial and commercial applications in the outdoor area of train station, shopping mall, parking area and factory where background music and paging is needed.

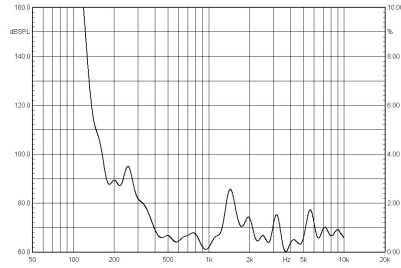
Specification

Model	DSP168HD
Power	25W/50W
Input Voltage	70V/100V
Sensitivity(1M,1W)	103±2dB
Max SPL(1M)	120±2dB
Freq. Resp	340Hz-20kHz
Dimension(L×W×H)	393×403×267mm
Weight	6.1kg(13.61bs)

FREQ. RESPONSE

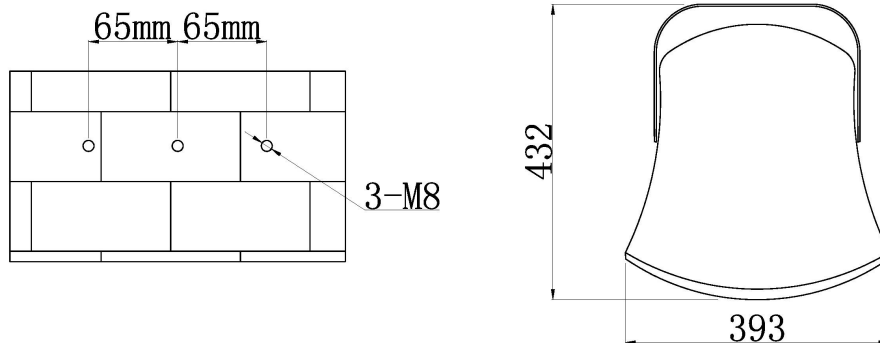


DISTORTION



Power Terminals	Line Voltage	70V	100V
Red---White		25W	50W

Installation



1. Fit three $\Phi 8\text{mm}$ screws in the position where needed to install a speaker;
2. Set the system in those three screws;
3. Connect audio broadcasting wire to the terminals;
4. Finally, adjust the direction of the system and examine whether it is steady.