

DSPPA Intelligent Paperless Conference System

Electronic Desk Name Plate with Two Sides
D7022II/D7022/D7022E



User's manual

Thanks for using DSPPA Paperless Intelligent Conferencing System. Please read this manual carefully before use.

Guangzhou DSPPA Audio CO., Ltd

<http://www.DSPPA.com>

<http://www.dsppatech.com>

Contents

※ Overview	1
1.About LCD two-sided electronic desk name tablet	1
2.The features of LCD two-sided electronic desk name tablet	1
※ desk name tablet’s Appearance and Function Description.....	1
1.Interface function description	1
※ System connection diagram	2
1.LCD two-sided electronic desk board wireless topology	2
2.LCD two-sided electronic desk board wireless topology	2
※ LCD two-sided electronic table system instructions section	3
1.Software interface operating instructions	3
1.1System settings	3
1.2 Call service	3
※ Precautions for use	4
1. Precautions for safe use	4
2.After-sales service note	4
※ Packing List	5
※ Technical Parameters	5
1.Basic Parameters	5
2.Others	6
3.Enviroment	6

※ Overview

1.About LCD two-sided electronic desk name tablet

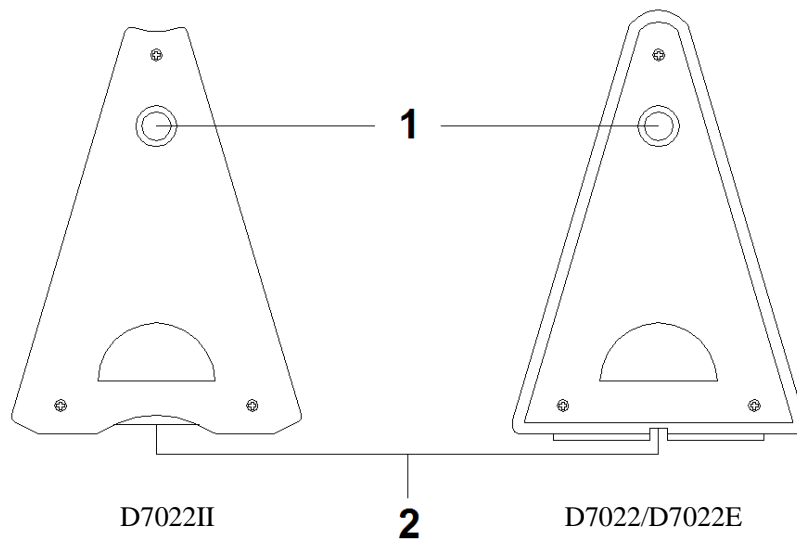
Background server, connected by the wired (RJ45) or wireless connection communication electronic desk name tablet displays conference topics and attendees location information to guide attendees into the corresponding conference room. One side of name plate on the side of the show staff name, name, position, and support direct modification on the screen; the other side shows part of the terminal content such as conference agenda, call service, conference notice. Intelligent electronic desk name tablet is environmentally friendly, user interface is simple and clear. The system is highly intelligent.

2.The features of LCD two-sided electronic desk name tablet

- With two-sided LCD display (can be handwritten on the screen input)
- HD display name titles, clear and bright.
- Control interface graphical, easy to operate, easy to learn
- Support for background server viewing
- Support the meeting agenda display
- System terminals make full use of modern mainstream touch screen computer technology

※ Desk Name Tablet’s Appearance and Function

1.Interface function

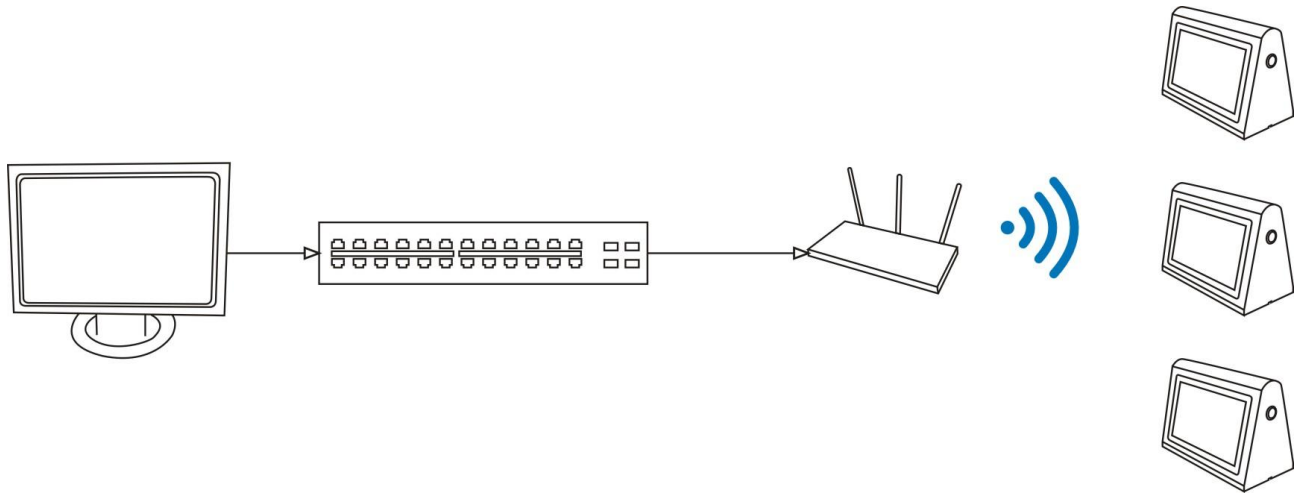


1、 Power switch: long press (1-3S) for the power supply, press the standby, and then long press (1-3S) to turn off the power

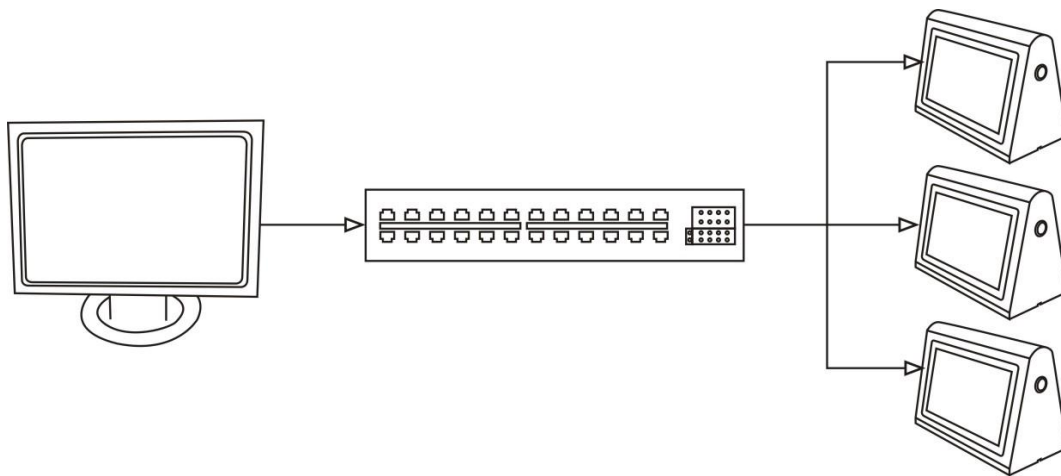
2、 Power interface: Connect the power supply

※ System connection diagram

1.LCD two-sided electronic desk name tablet wireless topology



2.Liquid crystal two-sided electronic table limited map



※ Operation instruction

1. Software interface operation instructions

1.1 System setting

Press **系统设置** enter password“123456”OK

1. Set server IP.
2. Enter the Android system setting
3. Into the table to play the main screen
4. Go to the desk name tablet offline settings



1.2 Call Service

Press **呼叫服务** and the service signal will be sent to the service desk, and the service staff will receive the information immediately and will confirm the info. Service includes tea, pen and paper, cleaning.

Press“ Call service” and it will jump to the detailed call category, click any call category, the information will be immediately sent to service staff.



※ Note

1. Safety cautions

- Do not insert the power plug of the unit into the grid before connecting the system cable
- Make sure that the voltage input to the device is exactly the same as the voltage requirements of the equipment. Otherwise, there is a danger of burning the equipment
- There is a dangerous voltage inside the machine, the voltage is enough to cause electric shock, do not open the case, in order to avoid the risk of electric shock
- When the power switch of this equipment is in the "off" state, the machine is not completely disconnected from the power supply. For the sake of safety, please unplug the power cord from the outlet
- Do not place the device in a sub-cooled or overheated place
- To ensure that the working environment of the equipment well ventilated, so as not to work fever, the temperature is too high and damage the machine
- Unplug the power plug during cloudy weather or for a long time when not in use
- Before removing or reasserting any parts of the equipment, disconnect or re-connect any electrical plugs or other connections to the equipment, be sure to unplug the power plug to ensure that the equipment is completely disengaged from the grid.
- Equipment, failure, non-professionals without permission, please do not open the cabinet to repair, in order to avoid accidents or increase the degree of damage to equipment.
Do not place any corrosive chemicals in the vicinity of the equipment or equipment.

2. After-sales service note

- The Company will provide a one-year free warranty (including free replacement parts) for installation and use in accordance with the provisions of this manual.

- User must provide warranty card, user self-existence and sales invoice as a certificate.
- The following conditions are not within the scope of free warranty:
 - (1) Improper installation, use or handling of the product;
 - (2) Abnormal conditions (such as excessive power supply voltage or ambient humidity);
 - (3) Natural disasters and other accidents caused by product damage;
 - (4) The product body number is converted, altered or removed;
 - (5) The product has been repaired or modified by an authorized person of the Company;
- Please keep the manual and warranty card
- Please contact your dealer or visit our website at <http://www.DSPPA.com> if you do not have any questions or precautions mentioned in this manual.
- If you encounter a malfunction during the warranty period, please contact our service personnel (or contact the dealer), if the self-demolition or maintenance by the company's technical staff caused damage, the company will not bear the responsibility of free warranty.

※ Packing List

No.	List	Quantity
1	D7022II or D7022 or D7022E desk name tablet	1
2	manual	1
3	certificate	1
4	Warranty card	1
5	5V/3A Power Adapter	1

※ Specification

1. Specification

Item Number	D7022II	D7022	D7022E
desk name tablet display screen size	7 inch LCD screen (double display)		
LCD screen resolution	800×480		
Touch technology / surface hardness	Capacitive / Mohs 7		
Touch points / induction	5 point/<10g		
Reaction time of touch	5MS		
Memory	512MB		
Brightness	600cd/m2		
Operation System	Android, DSPPA desk name tablet software		
Working time	5.5H		POE power supply

Input interface	Power interface	Network interface 、 RJ45*1
Connected way	WIFI connect	Wired connection

2.Others

shell material	Anode oxidation ; Aluminum alloy drawing 1.0MM ; 15.6 strong structure; corrosion resistance; SGCC dust proof	
Installation way	Table	
Color	Gray	Black/Silvery/Champagne Gold
Size (L×D×H mm)	210×140×100	210×140×96
Power	10W	
Power Demand	AC220V 50/60HZ	
Appendix	AC adapter DC5V/3A	

3. Ambient requirement

Working temperature	0°C~60°C
Storage temperature	-40°C~80°C
Working humidity	5%~95%
Storage humidity	5%~95%

Guangzhou DSPPA Audio Co., Ltd.

Attention

- When the power switch of this equipment is in the "off" state, the machine is not completely disconnected from the power supply. For safety reasons, please unplug the power cord from the outlet when the device is not in use.
- The device can not withstand water droplets or water splashes and can not place items such as vases filled with water on the equipment.
- Do not open the machine cover at will. If necessary, by a professional certificate of professional staff to repair
- The terminals marked with the symbol ⚡ in the equipment indicate hazardous, and the operation of connecting these terminals shall be done by the instructed person.
- The device is connected through the power cord plug and the power supply, when the equipment fails or dangerous, pull out the power cord plug to disconnect the device and the power grid connection, it is required to place the power outlet can facilitate the power cord plug.